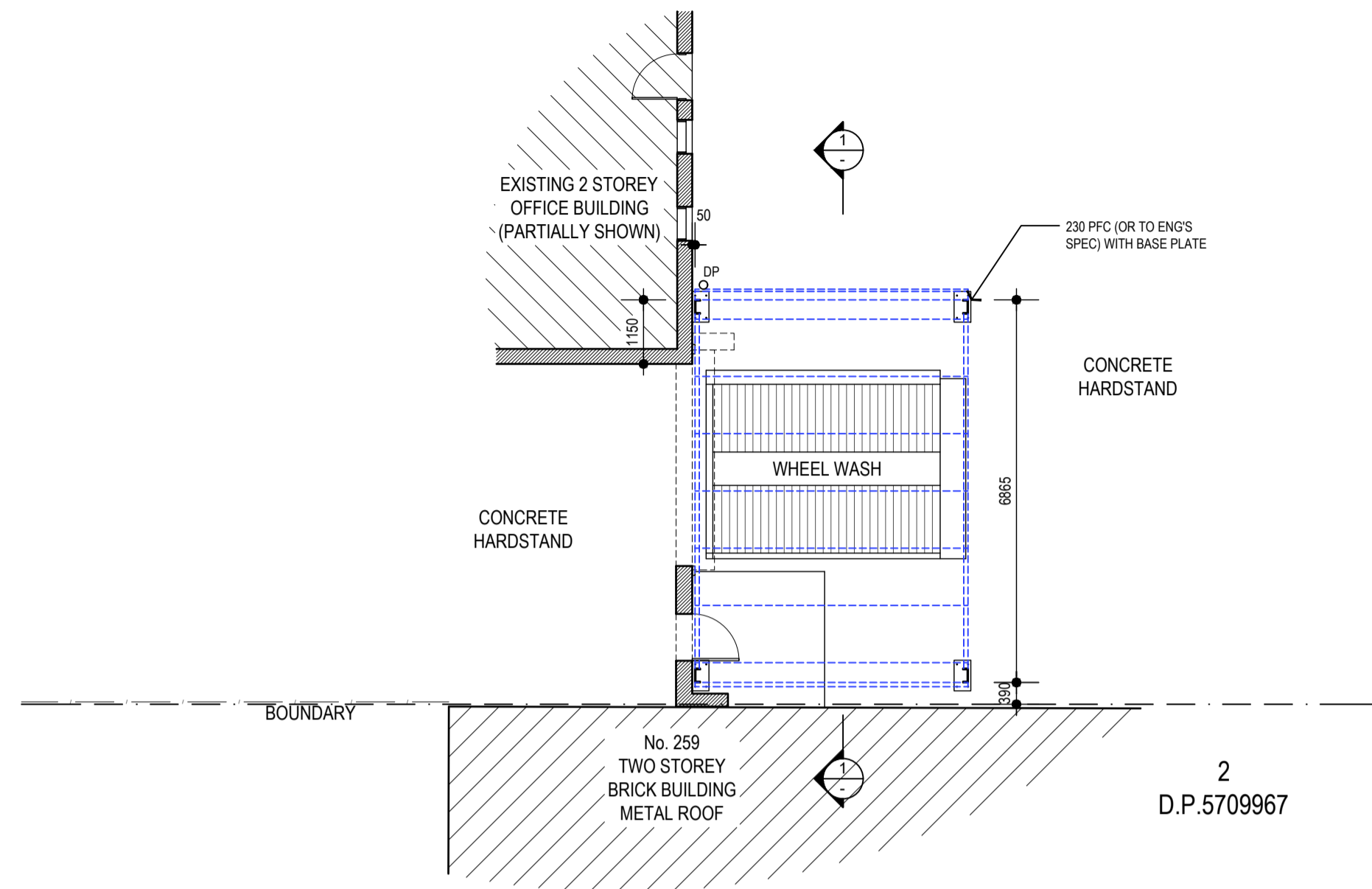
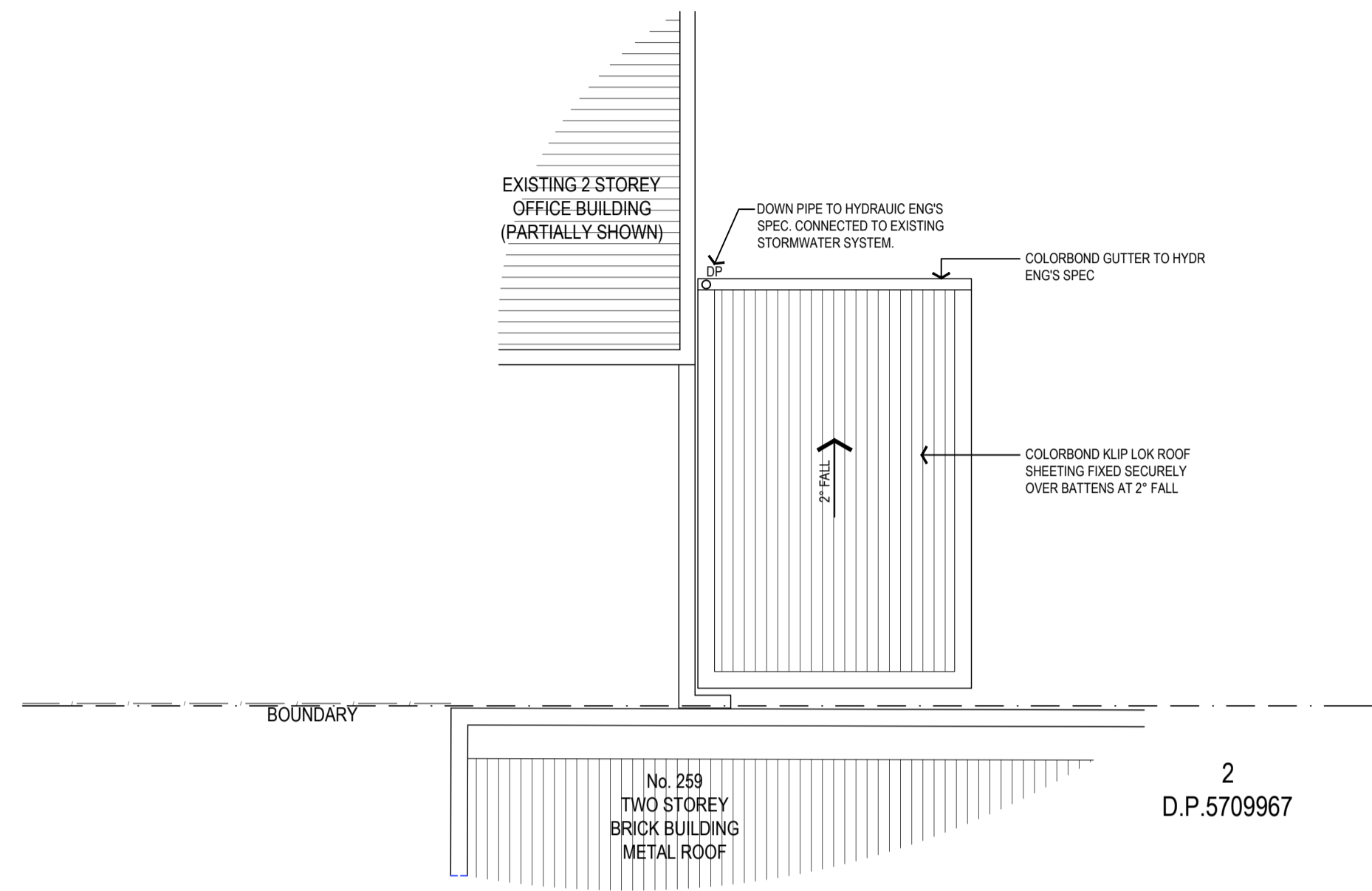


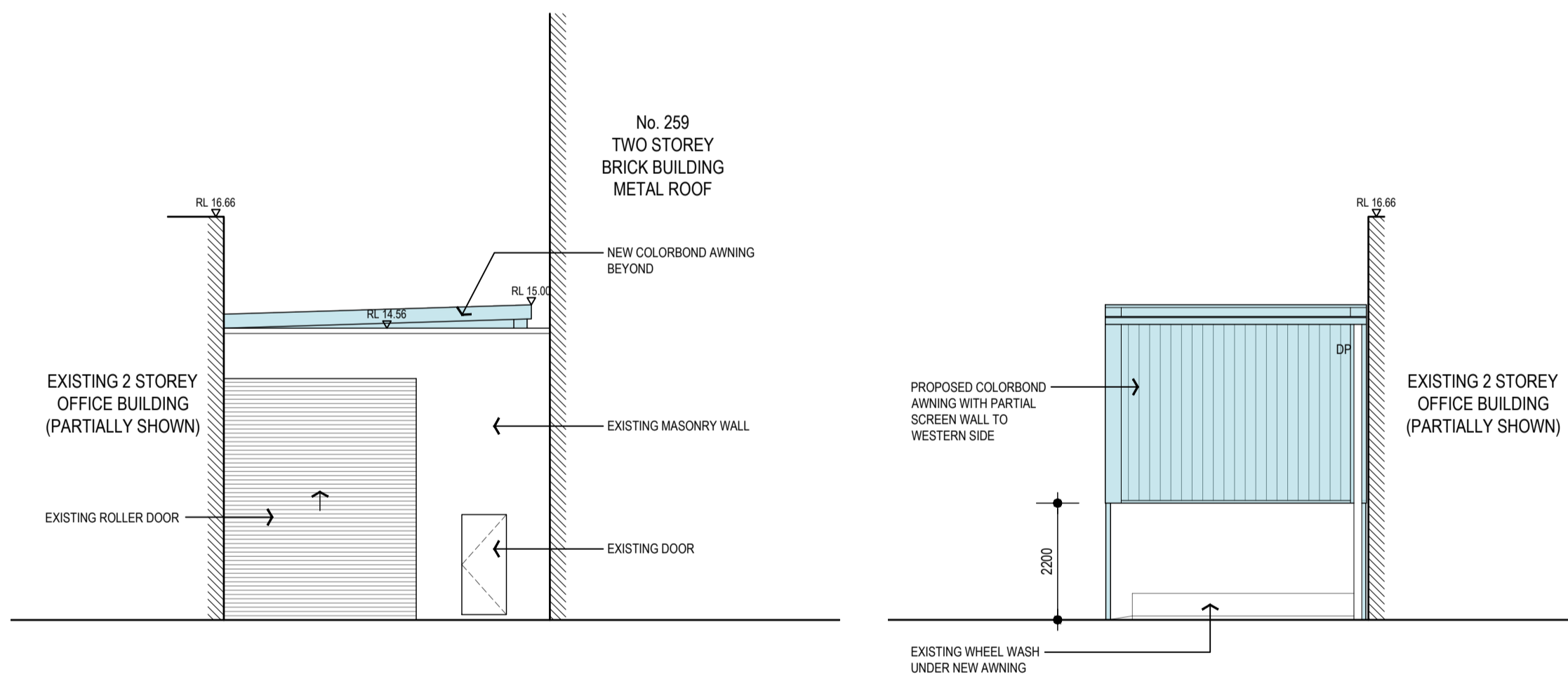
- KEY:**
- COLORBOND AWNING
 - AWNING STRUCTURE OVERHEAD
 - PROPOSED CONCRETE FOOTINGS



AWNING FLOOR PLAN
SCALE 1:100

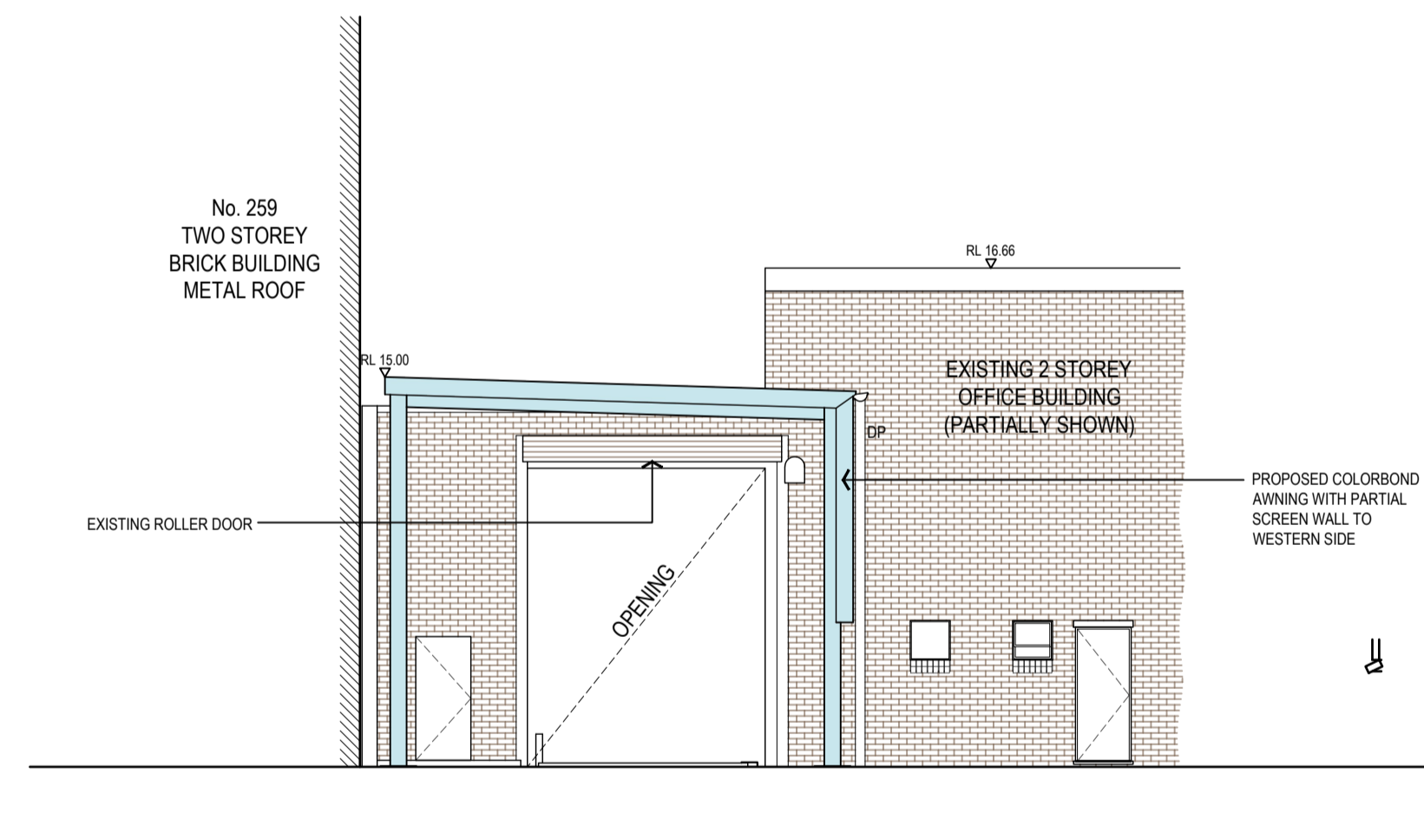


AWNING ROOF PLAN
SCALE 1:100

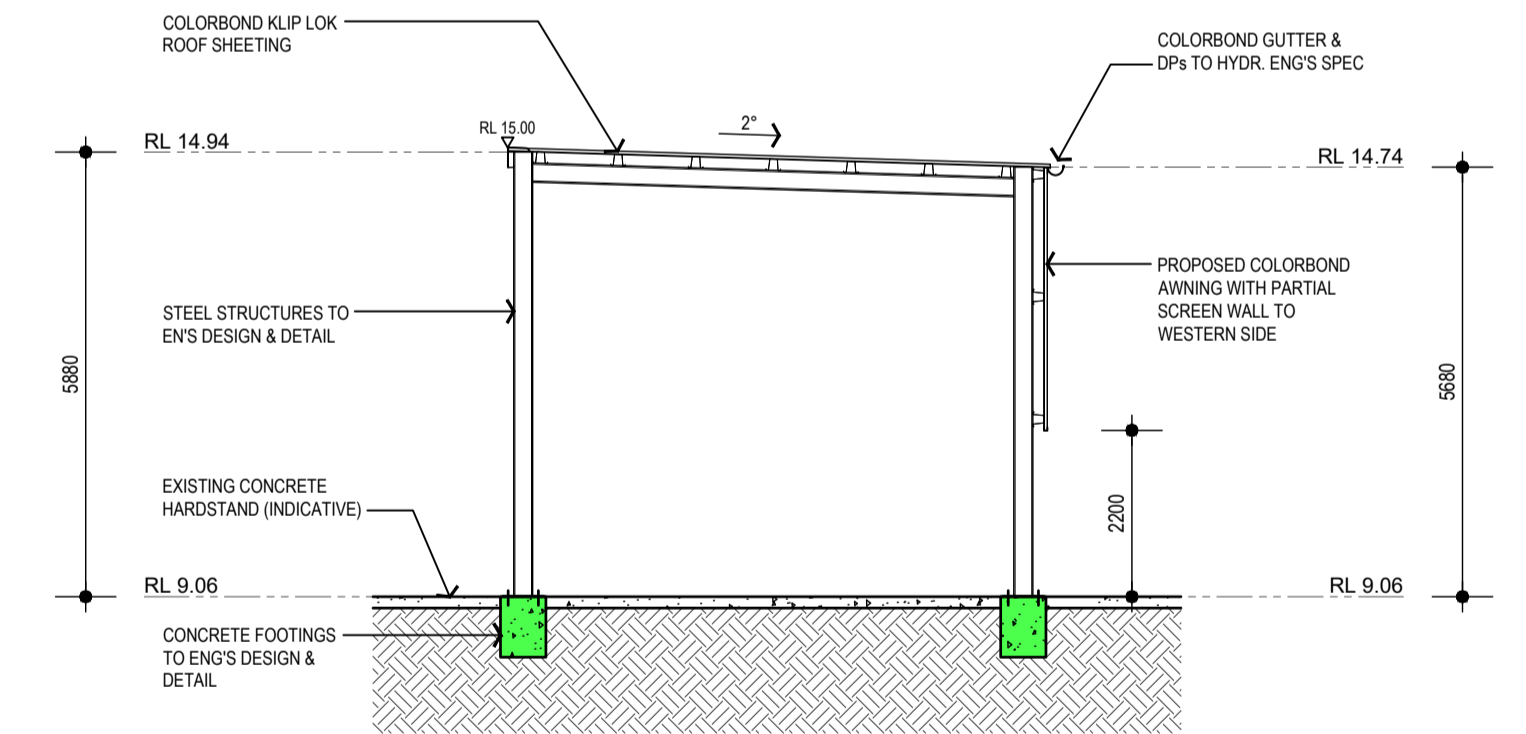


SOUTH ELEVATION
SCALE 1:100

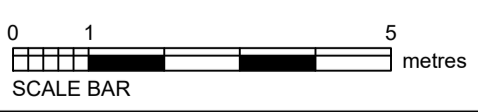
WEST ELEVATION
SCALE 1:100



NORTH ELEVATION
SCALE 1:100



SECTION 1
SCALE 1:100



AMENDMENTS		AMENDMENTS	
P1	6.3.26	FOR COMMENT	
A	27.3.26	ISSUE FOR DA	

CLARON
CONSULTING PTY LTD
PO Box 542
Lindfield NSW 2070
m 0418 242 738

Argent Design
abn: 48850277325
ph: 0402 430 311
e: info@argentdesign.com.au

BDC RECYCLING PTY LTD
263 MILPERRA ROAD, REVESBY
AWNING DETAILS

SCALE: 1:100@A1
DATE: 5.3.2026
DRAWN: SB
DRAWING No. DA02.01
REV. A